

Wired Pump Relay Controllers

AKL01P / AKL04P / AKL06P



For all priority situations

- You'll always have the right controller in the truck, with support for internal or external priority DHW calls in one device
- Control up to 30 zones in a single boiler system
- Reliable enough to carry a 5-year warranty

SALUS NORTH AMERICA, INC.

(888) 387-2587

sales@salusinc.com

www.salusinc.com

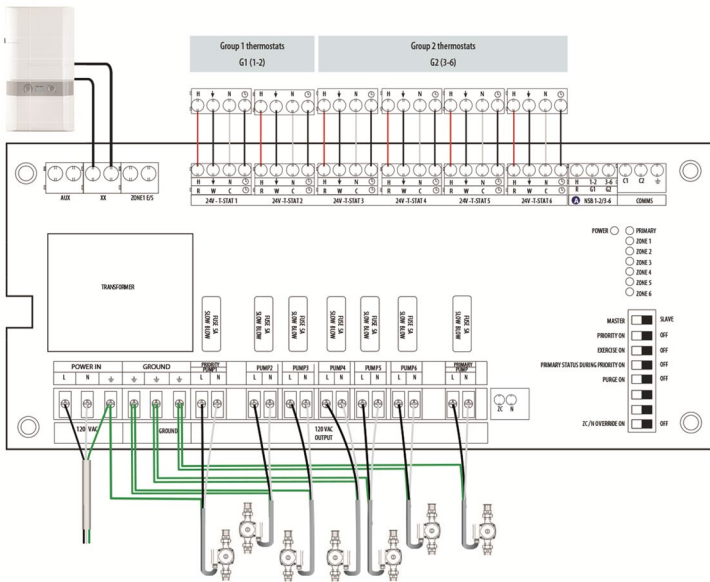
The Salus logo consists of a stylized blue 'S' symbol followed by the word 'SALUS' in a bold, blue, sans-serif font with a registered trademark symbol.

Description and Features

The SALUS Wired Pump Relay Controllers allow wired thermostats to control pumps and boilers for hydronic systems while supporting the following functions and features:

- Primary pump control
- Priority zone support (domestic hot water)
- Purge – Priority pump continues to run for 2 minutes after end of priority call
- Exercise – pumps turn ON for 30 sec. after 72 hours of inactivity
- Thermostat grouping
- ZC/ZR boiler enable support
- XX and AUX normally open contacts support
- Master / Slave function for up to 5 units (1 master / 4 slaves)
- LED indicators for zones and other status
- 3 models: AKL01P – single zone
AKL04P – 4 zone
AKL06P – 6 zone

Example Wiring Diagram (AKL06P)



Order Details

Wired Pump Relay Controller		
Model	Single Unit UPC	Carton GTIN
AKL01P	817989023056	10817989023053 (10 pcs)
AKL04P	817989023018	10817989023015 (4 pcs)
AKL06P	817989023032	10817989023039 (4 pcs)

Specifications	AKL01P	AKL04P	AKL06P
Indicators			
Power LED	✓	✓	✓
Priority LED		✓	✓
Zone LEDs (1 per zone)	1x	4x	6x
Terminals			
Power In (L, N) 120 VAC 50/60 Hz, max. 20 A.	✓	✓	✓
GND	1x	4x	6x
Primary Pump (L, N) max. 1/6 hp		✓	✓
Pumps (L, N) max. 1/6 hp	1x	4x	6x
Priority on Pump 1		✓	✓
AUX contacts, 2A max.		✓	✓
XX contacts, 120 VAC, 2 A max.	✓	✓	✓
ZONE1 E/S contacts, 2A max.		✓	✓
Wired Thermostat (R, W, C) 24 VAC, 0.8A max.	1x	4x	6x
Night Setback (R, G1, G2)		✓	✓
Comm (C1, C2, gnd)		✓	✓
Mechanical			
Keyhole Screw Mounts	3x	4x	4x
3/4" cable knockouts	2x	11x	11x
Weight		Dimensions	
AKL01P	1.27 lbs, 0.58 kg	3.15" x 6.3" x 4.5"	
AKL04P	3.18 lbs, 1.44 kg	80 x 160 x 114 mm	
AKL06P	3.39 lbs, 1.54 kg	3.15" x 11" x 9.25"	
		80 x 280 x 235 mm	
Power			
Supply: 120 VAC, 60 Hz			
Pump outputs: 1/6 HP max. (5A slow blow fuse type 2AG)			
Environmental			
Operating: 32° to 110°F (0° to 43°C), <90% RH non-condensing			
Storage: 32° to 122°F (0° to 50°C), <90% RH non-condensing			
Agency Compliance			
ETL Certified to CSA C22-2 No. 24 and UL873			
FCC, Industry Canada			
CE: RoHS, REACH, WEEE			
Warranty			
5 years limited warranty			
Compatible Devices			
AHTR3024 – Digital Thermostat			
AHTR5024 – Programmable Thermostat			
ST921WF Programmable WIFI Thermostat			

Note: Specifications are subject to change without notice

