

Braeburn®

7500

Up to 3 Heat / 2 Cool Heat Pump
Up to 2 Heat / 2 Cool Conventional
Universal Wireless Thermostat Kit



Thermostat Features

- 7 Day, 5-2 Day or Non-Programmable
- Large 5 Sq. In. Backlit Display
- Auto or Manual Changeover
- Residential or Commercial Modes
- Battery Operated for Total Installation Flexibility
- Compatible with 2 or 3 Wire Hydronic Zone Systems
- Auxiliary Heat Fossil Fuel Option
- Programmable Fan Control
- R and C Terminals for Optional 24 Volt Operation
- Adjustable Temperature Limits
- Multi-Level Keypad Lockout
- Quick Reference Instruction Card

Wireless Features

- Superior Wireless Range
- Battery Life Exceeds Virtually All Competitive Models
- Includes Return Air Sensor for Default Temperature Control Even if Batteries are Drained
- Connect up to 4 Optional Wireless Indoor Sensors for Remote Temperature Sensing*
- Optional Wireless Outdoor Sensing for Outdoor Temperature Display or Balance Point Control*
- Optional Wireless Humidity Plenum Sensor for Whole-House Humidification Control*
- Affordable Solution for Virtually Any Thermostat Application



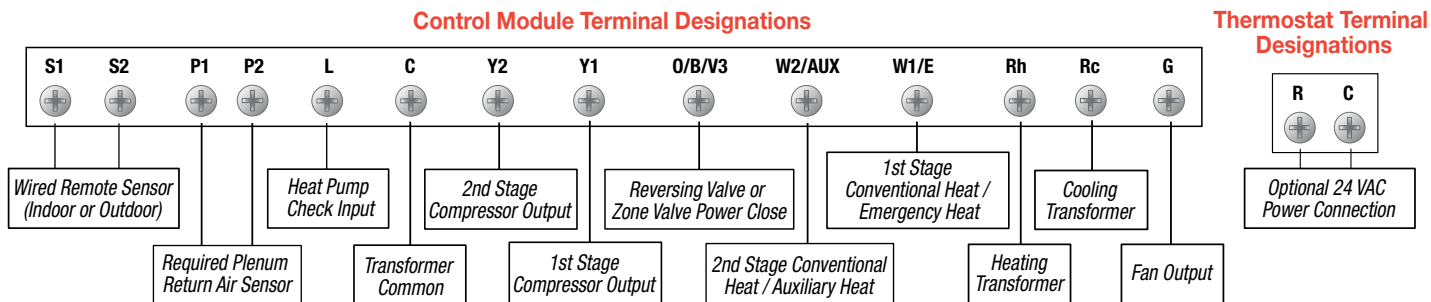
FREE Contractor Branding! Visit braeburnonline.com

*As a licensee in the Energy Aware Programmable Thermostat Program, Braeburn Systems LLC has determined that this product meets the NEMA Energy Aware efficiency specifications for programmable thermostats. Visit www.getenergyaware.com for more information.

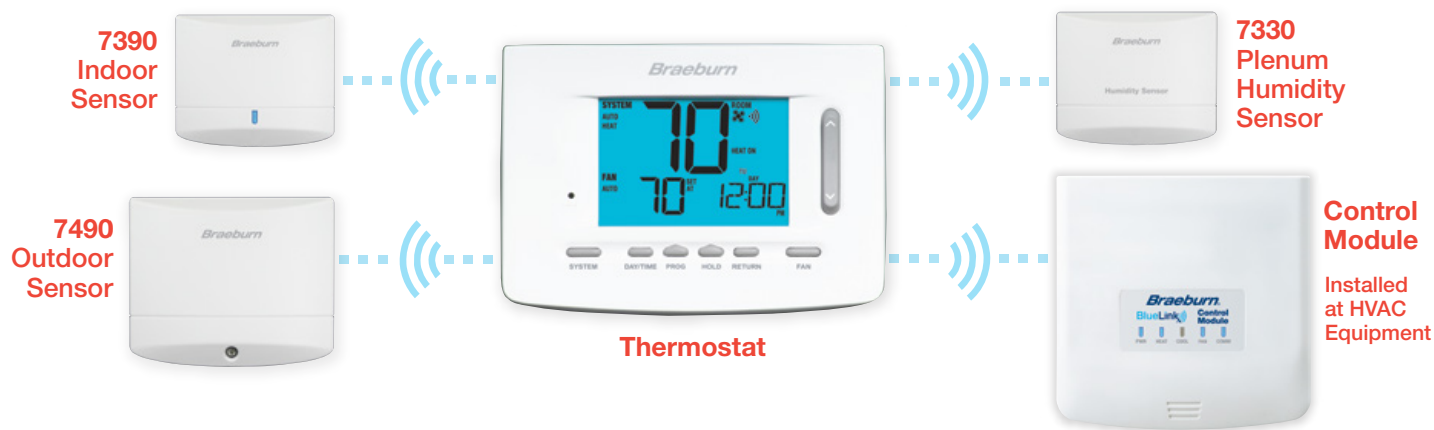
*Up to 4 wireless remote sensors can be connected.

Toll-Free 866.268.5599 (U.S.) +1.630.844.1968 (Outside the U.S.)

Braeburn®



Total Installation Flexibility



Up to 4 wireless Sensors can be connected - see Installer Guide.

Product Specifications

Thermostat Dimensions:	3.86" x 5.11" x 1.42"
Control Module Dimensions:	6.0" x 6.0" x 1.25"
Electric Rating:	24 Volt AC (18-30 Volt AC) 1 amp maximum load per terminal 5 amp total maximum load (all terminals)
DC Power:	3.0 Volts DC (2 "AA" Alkaline batteries included)
Optional AC Power:	18-30 Volt AC
Compatibility:	Heat pump systems up to 3 heat/2 cool, Conventional systems up to 2 heat/2 cool
Control Range:	45° to 90° F (7° to 32° C)
Display Range:	40° to 99° F (5° to 37° C)
Accuracy:	+/- 1° F (+/- .5° C)
Temperature Differential:	1st Stage - .5°, 1°, or 2° F (0.2°, 0.5°, or 1° C) 2nd and 3rd Stage - 1°, 2°, 3°, 4°, 5°, or 6° F (.5°, 1°, 1.5°, 2°, 2.5°, or 3° C)
Storage Temperature:	14° to 140° F (-10° to 60° C)
Operating Humidity:	5% to 95% Relative Humidity
Control Module Terminations:	S1, S2, P1, P2, L, C, Y2, Y1, O/B/V3, W2/AUX, W1/E, Rh, Rc, G

Shipping Information

INDIVIDUAL CARTON	MASTER CARTON
Dimensions: 7.25" x 6.6" x 4.0"	Quantity: 3
Weight: 1.85 lbs.	Dimensions: 12.25" x 7.5" x 7.25"
	Cubic Feet: .39
	Weight: 6.1 lbs.

Braeburn 7500 Replaces

Honeywell®	YTH5320R, YTH6320R, TH8110R*, TH8320R*, TH8321R*
Emerson®	1F98EZ-1621
Pro1®	T955W, T955WH

*Additional control module required.

Verify specific application requirements. All trademarks are the property of their respective owners.

Accessories

7330 Wireless Remote Humidity Sensor	5390 Wired Remote Indoor Sensor
7390 Wireless Remote Indoor Sensor	5490 Wired Remote Outdoor Sensor
7490 Wireless Remote Outdoor Sensor	5970 Universal Thermostat Guard
2950 Universal Wall Plate (6.5" x 6.5" x .125")	

FREE Contractor Branding Available!

Visit our website (www.braeburnonline.com) for more information, contact your local distributor or call our sales department toll-free at 866.268.5599 (U.S.), +1.630.844.1968 (Outside the U.S.).

Braeburn Systems LLC • 2215 Cornell Avenue • Montgomery, IL 60538 • Toll-Free 866.268.5599 (U.S.) +1.630.844.1968 (Outside the U.S.)